



PRODUCT FEATURES

电气特性:

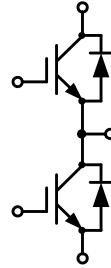
- 1200V FS+Trench
1200V 沟槽栅/场终止工艺
- Low Switching Loss
低开关损耗
- Short-Circuit Duration
短路耐量: 10μS
- Positive Temperature Coefficient
正温度系数

APPLICATIONS

典型应用:

- Inverter Welding Machine
逆变焊机
- Induction Heating
感应加热
- High Frequency Switching Power Supply
高频开关电源

Equivalent Circuit and Package
A2 Series



最大额定值 / Maximum Ratings

Parameter	Conditions	Symbol	Value	Unit
集电极-发射极电压 Collector-Emitter voltage	$T_{vj}=25^{\circ}\text{C}$	V_{CES}	1200	V
连续集电极直流电流 Continuous DC collector current	$T_C=100^{\circ}\text{C}, T_{vj\ max}=175^{\circ}\text{C}$	$I_{C\ nom}$	100	A
集电极重复峰值电流 Repetitive peak collector current	$t_p=1\ ms$	I_{CRM}	200	A
总功率损耗 Total power dissipation	$T_C = 25^{\circ}\text{C}, T_{vj\ max} = 175^{\circ}\text{C}$	P_{tot}	555	W
栅极-发射极电压 Gate emitter voltage		V_{GE}	± 20	V

特征值 / Characteristic Values

Parameter	Conditions	Symbol	Value			Unit
			Min.	Typ.	Max.	
集电极-发射极饱和电压 Collector-Emitter saturation voltage	$V_{GE}=15\text{V}, I_C=100\text{A}$ $V_{GE}=15\text{V}, I_C=100\text{A}$ $V_{GE}=15\text{V}, I_C=100\text{A}$	$T_{vj}=25^{\circ}\text{C}$ $T_{vj}=125^{\circ}\text{C}$ $T_{vj}=150^{\circ}\text{C}$	V_{CESat}	2.10 2.55 2.68	2.60	V
栅极-发射极阈值电压 Gate-Emitter threshold voltage	$I_C = 3.8\text{mA}, V_{GE}= V_{CE}$	$T_{vj}=25^{\circ}\text{C}$	$V_{GE(th)}$	5.20 5.80	6.40	
栅电荷 Gate charge	$V_{GE}=-15\text{V}\dots+15\text{V}$		Q_G	0.53		μC
内部栅极电阻 Internal gate resistor			R_{Gint}	5.29		Ω
输入电容 Input capacitance	$f=1\text{MHz}, V_{CE}=25\text{V}, V_{GE}=0\text{V}$	$T_{vj}=25^{\circ}\text{C}$	C_{ies}	7.35		nF

特征值 / Characteristic Values

反向传输电容 Reverse transfer capacitance			C_{res}		0.28	
集电极-发射极截止电流 Collector-emitter cut-off current	$V_{CE}=1200V, V_{GE}=0V$	$T_{vj}=25^{\circ}C$	I_{CES}		1	mA
栅极-发射极漏电流 Gate-emitter leakage current	$V_{CE}=0V, V_{GE}=20V$	$T_{vj}=25^{\circ}C$	I_{GES}		100	nA
开通延迟时间 Turn-on delay time	$I_C=100A, V_{CE}=600V$ $V_{GE}=\pm 15V, R_G=2.0\Omega$ (电感负载) / (inductive load)	$T_{vj}=25^{\circ}C$ $T_{vj}=125^{\circ}C$ $T_{vj}=150^{\circ}C$	$t_{d\ on}$		105 107 111	ns
上升时间 Rise time	$I_C=100A, V_{CE}=600V$ $V_{GE}=\pm 15V, R_G=2.0\Omega$ (电感负载) / (inductive load)	$T_{vj}=25^{\circ}C$ $T_{vj}=125^{\circ}C$ $T_{vj}=150^{\circ}C$	t_r		37 42 42	
关断延迟时间 Turn-off delay time	$I_C=100A, V_{CE}=600V$ $V_{GE}=\pm 15V, R_G=2.0\Omega$ (电感负载) / (inductive load)	$T_{vj}=25^{\circ}C$ $T_{vj}=125^{\circ}C$ $T_{vj}=150^{\circ}C$	$t_{d\ off}$		228 271 273	
下降时间 Fall time	$I_C=100A, V_{CE}=600V$ $V_{GE}=\pm 15V, R_G=2.0\Omega$ (电感负载) / (inductive load)	$T_{vj}=25^{\circ}C$ $T_{vj}=125^{\circ}C$ $T_{vj}=150^{\circ}C$	t_f		122 129 129	
开通损耗能量 (每脉冲) Turn-on energy loss per pulse	$I_C=100A, V_{CE}=600V$ $V_{GE}=\pm 15V, R_G=2.0\Omega$ (电感负载) / (inductive load)	$T_{vj}=25^{\circ}C$ $T_{vj}=125^{\circ}C$ $T_{vj}=150^{\circ}C$	E_{on}		6.05 13.57 15.26	
关断损耗能量 (每脉冲) Turn-off energy loss per pulse	$I_C=100A, V_{CE}=600V$ $V_{GE}=\pm 15V, R_G=2.0\Omega$ (电感负载) / (inductive load)	$T_{vj}=25^{\circ}C$ $T_{vj}=125^{\circ}C$ $T_{vj}=150^{\circ}C$	E_{off}		4.38 5.67 6.48	mJ
短路数据 SC data	$V_{GE}\leq 15V, V_{CC}=800V$ $V_{CEmax}=V_{CES}-L_{sCE}\cdot di/dt$ $t_p\leq 10\mu s, T_{vj}=150^{\circ}C$		I_{SC}		330	A
结-外壳热阻 Thermal resistance, junction to case	每个 IGBT / per IGBT		R_{thJC}		0.27	K/W
在开关状态下温度 Temperature under switching conditions			$T_{vj\ op}$	-40	150	$^{\circ}C$

Diode 最大额定值 / Maximum Ratings

Parameter	Conditions	Symbol	Value	Unit
反向重复峰值电压 Repetitive peak reverse voltage	$T_{vj}=25^{\circ}C$	V_{RRM}	1200	V
连续正向直流电流 Continuous DC forward current		I_F	100	A
正向重复峰值电流 Repetitive peak forward current	$t_p=1ms$	I_{FRM}	200	A
I^2t 值 I^2t -value	$t_p=10ms, \sin 180^{\circ}, T_{vj}=125^{\circ}C$	I^2t	1920	A^2s

Diode 特征值 / Characteristic Values

Parameter	Conditions	Symbol	Value			Unit
			Min.	Typ.	Max.	
正向电压 Forward voltage	$I_F=100A, V_{GE}=0V$ $I_F=100A, V_{GE}=0V$ $I_F=100A, V_{GE}=0V$	$T_{vj}=25^{\circ}C$ $T_{vj}=125^{\circ}C$ $T_{vj}=150^{\circ}C$	V_F		2.11 1.71 1.68	2.60 V
反向恢复峰值电流 Peak reverse recovery current	$I_F=100A,$ $-di_F/dt=2147A/\mu s(T_{vj}=150^{\circ}C)$ $V_R=600V, V_{GE}=-15V$	$T_{vj}=25^{\circ}C$ $T_{vj}=125^{\circ}C$ $T_{vj}=150^{\circ}C$	I_{RM}		46 60 65	A
恢复电荷 Recovered charge	$I_F=100A,$ $-di_F/dt=2147A/\mu s(T_{vj}=150^{\circ}C)$ $V_R=600V, V_{GE}=-15V$	$T_{vj}=25^{\circ}C$ $T_{vj}=125^{\circ}C$ $T_{vj}=150^{\circ}C$	Q_F		2.97 10.34 11.80	μC
反向恢复损耗（每脉冲） Reverse recovered energy	$I_F=100A,$ $-di_F/dt=2147A/\mu s(T_{vj}=150^{\circ}C)$ $V_R=600V, V_{GE}=-15V$	$T_{vj}=25^{\circ}C$ $T_{vj}=125^{\circ}C$ $T_{vj}=150^{\circ}C$	E_{rec}		0.86 3.37 3.87	mJ
结-外壳热阻 Thermal resistance, junction to case	每个二极管 / per diode		R_{thJC}			0.48 K/W
在开关状态下温度 Temperature under switching conditions			$T_{vj op}$	-40		150 $^{\circ}C$

模块 / Module

Parameter	Conditions	Symbol	Value			Unit
绝缘测试电压 Isolation test voltage	RMS, $f=50Hz, t=1min$	V_{ISOL}		4000		V
内部绝缘 Internal isolation				Al_2O_3		
储存温度 Storage temperature		T_{stg}	-40		125	$^{\circ}C$
模块安装的扭矩 Mounting torque for modul mounting		M	3.0		6.0	Nm
重量 Weight		W		155		g

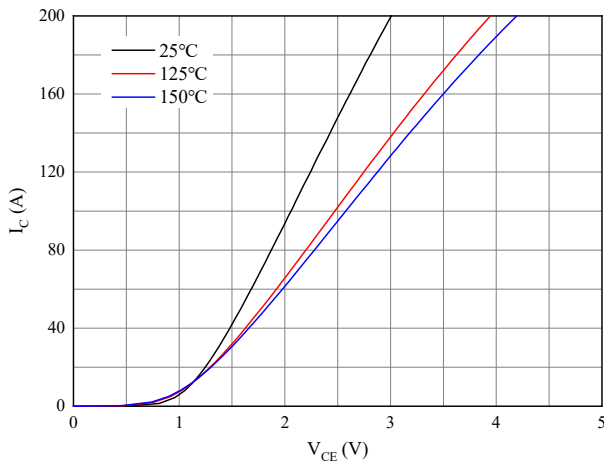


图 1. 典型输出特性 ($V_{GE}=15V$)

Figure 1. Typical output characteristics ($V_{GE}=15V$)

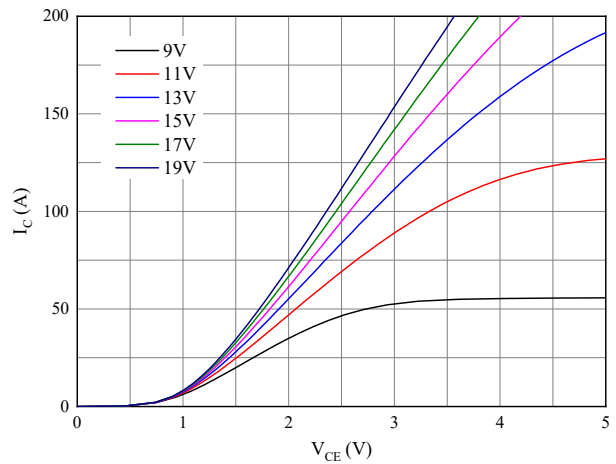


图 2. 典型输出特性 ($T_{vj}=150^{\circ}C$)

Figure 2. Typical output characteristics ($T_{vj}=150^{\circ}C$)

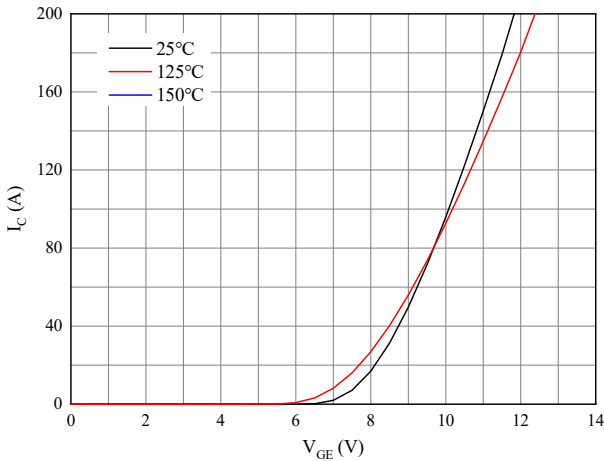


图 3. 典型传输特性 ($V_{CE}=20V$)

Figure 3. Typical transfer characteristic ($V_{CE}=20V$)

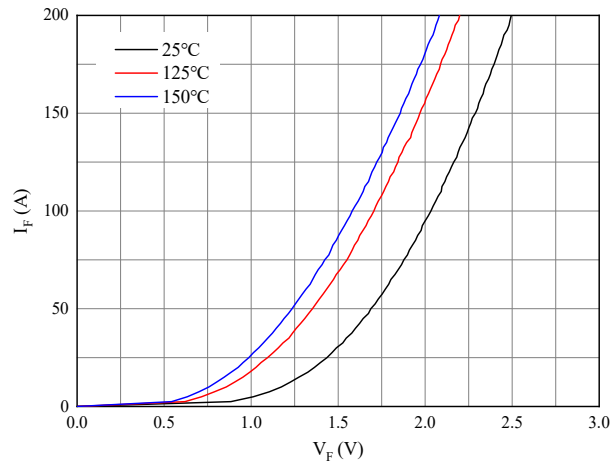


图 4. 正向偏压特性 二极管

Figure 4. Forward characteristic of Diode

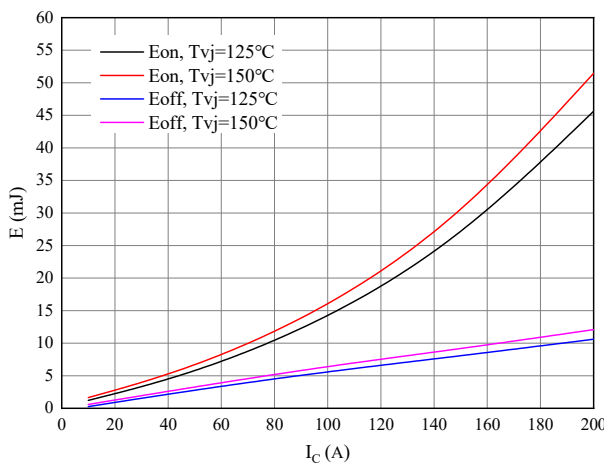


图 5. 开关损耗 逆变器

Figure 5. Switching losses of IGBT

$V_{GE}=\pm 15V, R_{Gon}=15\Omega, R_{Goff}=15\Omega, V_{CE}=600V$

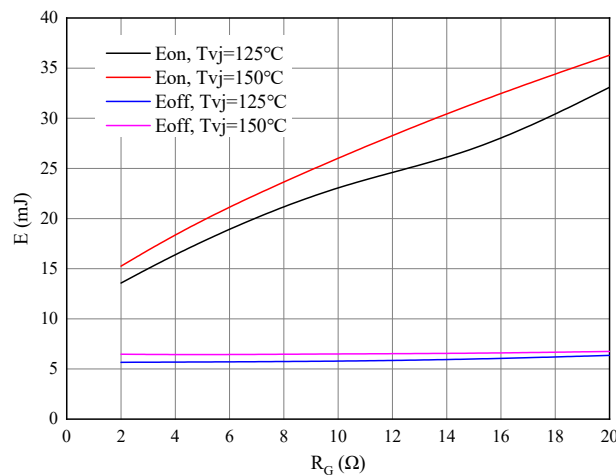


图 6. 开关损耗 逆变器

Figure 6. Switching losses of IGBT

$V_{GE}=\pm 15V, I_C=50A, V_{CE}=600V$

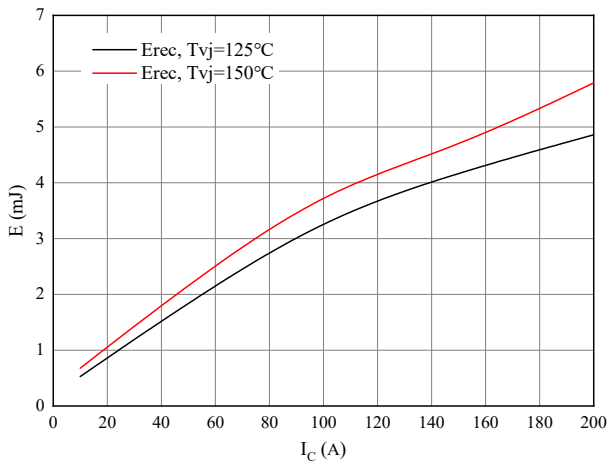


图 7. 开关损耗 二极管
 Figure 7. Switching losses of Diode
 $R_{Gon}=2\Omega$, $V_{CE}=600V$

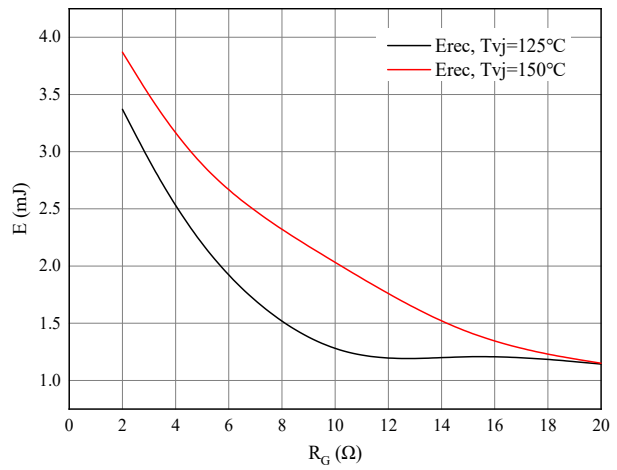


图 8. 开关损耗 二极管
 Figure 8. Switching losses of Diode
 $I_F=100A$, $V_{CE}=600V$

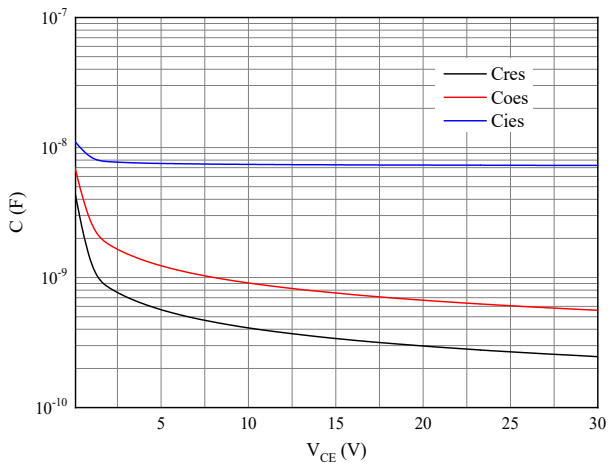
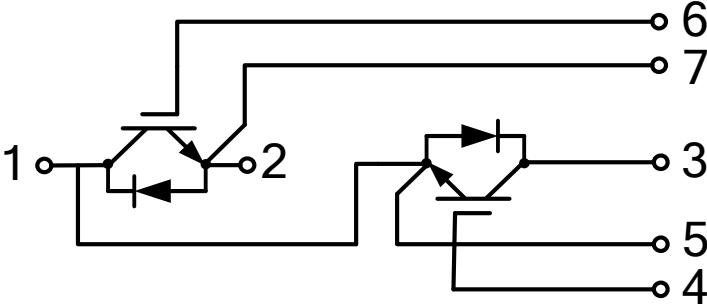
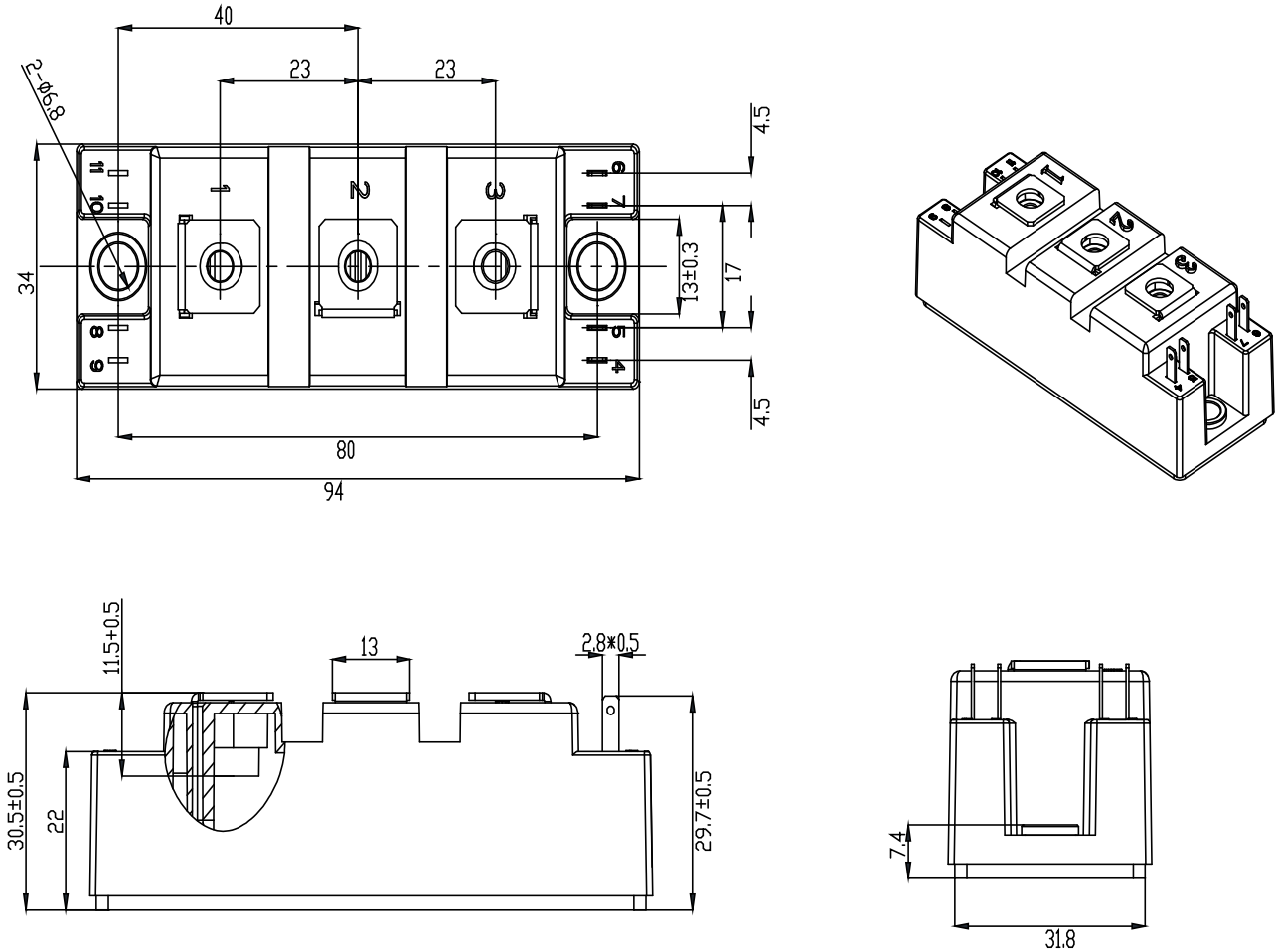


图 9. 电容特性
 Figure 9. Capacitance characteristic

接线图 / Circuit diagram



封装尺寸 / Package outlines



Unit:mm